

# Energy Meter Manual

ET112

rev 03 - 01/2023

This manual is also available in [HTML5](#)

# Table of Contents

|  |           |
|--|-----------|
| <b>1. Introduction</b> .....                         | <b>1</b>  |
| 1.1. Features .....                                  | 1         |
| <b>2. Installation and configuration</b> .....       | <b>2</b>  |
| 2.1. AC wiring .....                                 | 2         |
| 2.1.1. Configuration options .....                   | 2         |
| 2.1.2. System examples .....                         | 3         |
| 2.2. Connection to a GX device .....                 | 4         |
| 2.2.1. Wired connection to a GX device .....         | 4         |
| 2.2.2. Zigbee connection to a GX device .....        | 5         |
| 2.3. GX device configuration .....                   | 6         |
| 2.4. Multiple Energy Meters in one system .....      | 8         |
| <b>3. Information on multiple Zigbee pairs</b> ..... | <b>9</b>  |
| 3.1. Multiple Zigbee pairs .....                     | 9         |
| <b>4. FAQ</b> .....                                  | <b>10</b> |

# 1. Introduction

The Victron ET112 is a standard device to measure the power and energy of a single-phase application, for example at the distribution box or to measure the output of a PV Inverter, AC Genset or the output of an inverter and inverter/charger.

Its data will be displayed on a GX device and our VRM portal.

## 1.1. Features

The energy meter can be configured for four different roles in a GX device (e.g. [Cerbo GX](#)):

- As a Grid meter and used as control input for an ESS System.
- To measure the output of a PV Inverter.
- To measure the output of a AC Genset.
- As a AC meter to measure the output of an inverter or inverter/charger.

The ET112 offers two options for connection to a GX device:

- A wired connection, either by using the [RS485 to USB interface](#) with 1.8m or 5m cable length.
- A wireless connection via our [Zigbee to USB and Zigbee to RS485 converter](#).

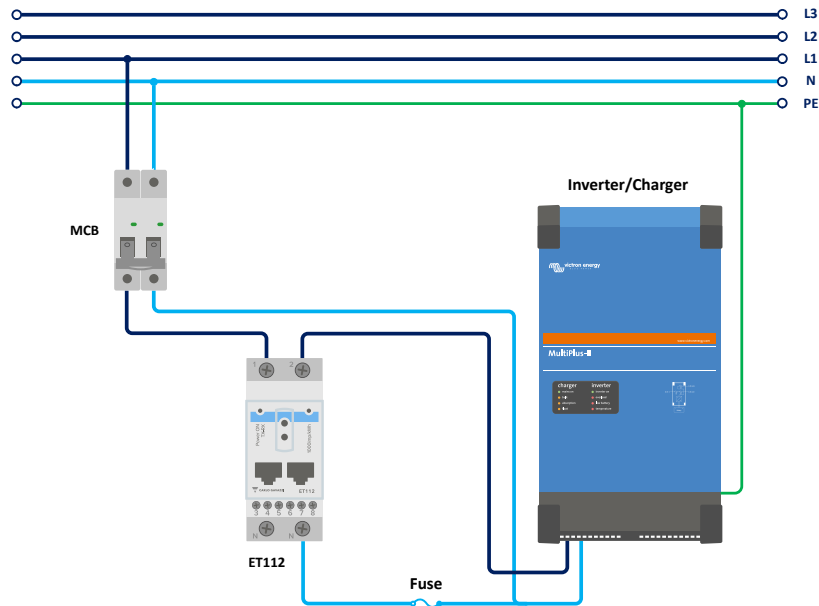
## 2. Installation and configuration

### 2.1. AC wiring

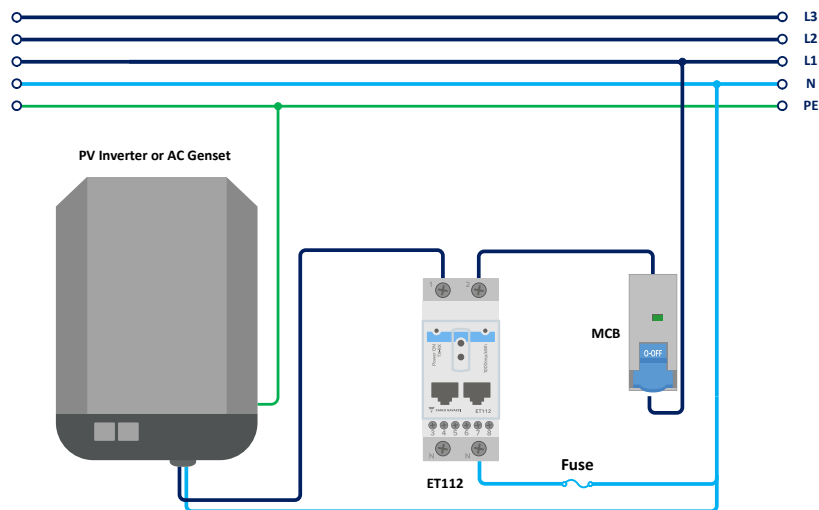
#### 2.1.1. Configuration options

The configuration option of either Grid Meter, PV Inverter, Generator or AC Meter is set in the GX device. That selection will effect how the system should be wired, and how the information received from the meter is displayed on the screen.

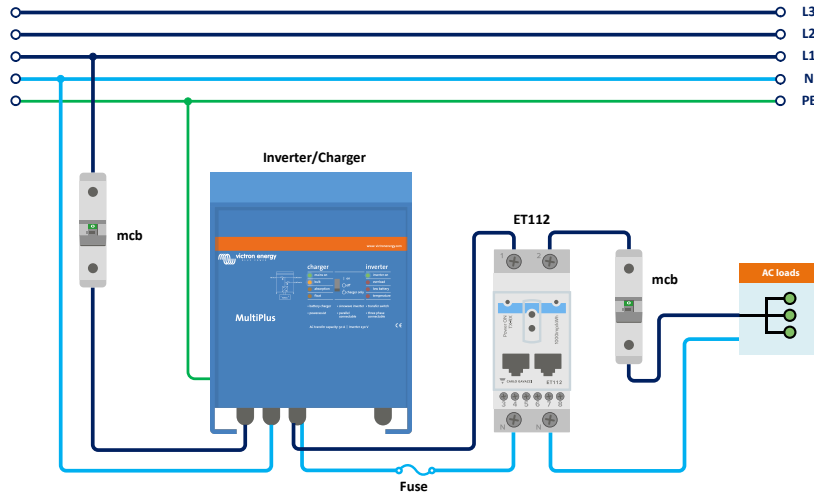
See below diagrams for the different wiring options:



*Grid Meter - Wiring when used as a grid meter*



*PV Inverter - Wiring when used to measure PV inverter or AC Genset*



AC Meter - Wiring when used to measure AC output of an Inverter/Charger

### 2.1.2. System examples

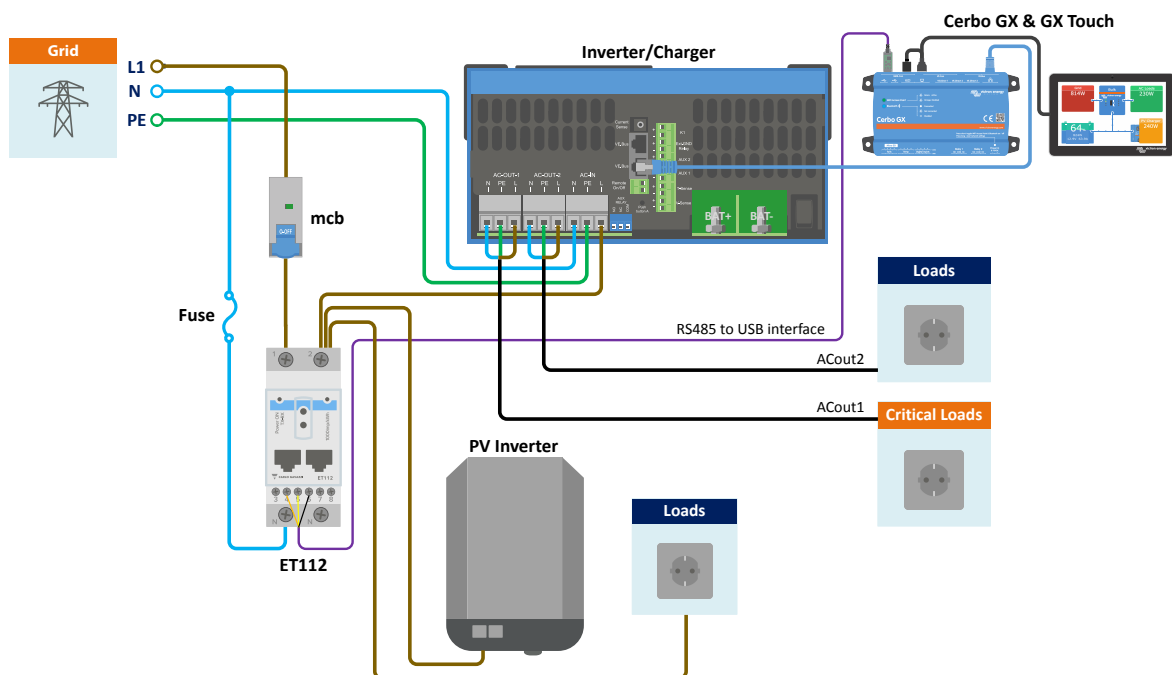
#### Example diagram

In this example configuration, a single ET112 is configured as a Grid Meter and will measure the grid import/export of an ESS system with a AC PV inverter. While the exact production of the AC PV inverter will not be seen, this is still a useful configuration as it allows the AC PV production to first flow to the non-essential loads on that same circuit.

- A surplus will be used to charge the batteries (seen as export and attempt to reduce to grid set point eg 0).
- A deficiency will trigger a discharge of the batteries (seen as import and attempt to reduce to grid set point).

This can be useful if the Victron ESS system is installed as a retrofit to an existing AC Solar inverter installation with some larger loads that aren't wired through the Multiplus.

If you wanted to see PV production separately, you could use the “single phase dual function mode” of the ET340.



## 2.2. Connection to a GX device

### 2.2.1. Wired connection to a GX device

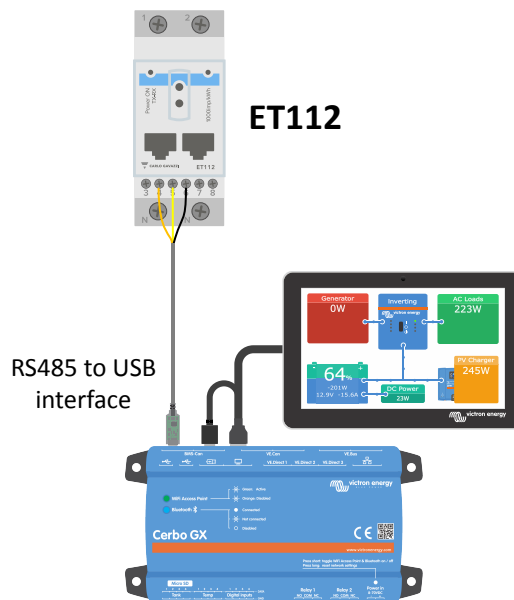
Connect the Energy Meter to the GX device using the RS485 to USB interface.

The RS485 to USB interface cable between the GX device and the Energy Meter can be extended up to 100 meters; make sure that the extensions of the Data+ (orange) and Data- (yellow) wires form a twisted pair.

The table below shows the colors of the wires and their connection to the terminals of the ET112, as well as the colors to be used for a CAT5 extension cable.

| RS485 to USB | RS485 Signal | ET112 terminal number | Suggested wire color CAT5 extension cable |
|--------------|--------------|-----------------------|---|
| Orange       | Data +       | 4                     | Orange                                    |
| Yellow       | Data -       | 5                     | Orange/White                              |
| Black        | GND          | 6                     | Brown                                     |

The red, green and brown wire coming out of the RS485 to USB cable are not used.



*ET112 wired connection to a Cerbo GX using the RS485 to USB interface*



You can attach an RJ45 plug that can be plugged into the front of one of the two RJ45 sockets of the energy meter and has the same pin assignment.

To ensure signal integrity and robust operation, particularly ensure that:

- The extension cabling complies with the minimum cross-sectional area specifications in the RS485 to USB interface data sheet.
- The extension cabling has appropriate shielding and twisted pair cores.
- The original cable attached to the Victron RS485 USB interface is reduced to a maximum length of 20cm for installations where the total cable length exceeds 10m or where installation/site specific interference occurs - in this case, a suitable/quality cable should be used for the entire cable length and not only for the extension length.
- Cabling is installed separated/away from the main DC or AC power cabling.
- All wiring is properly terminated (including unused wires) and properly isolated from weather/water ingress.
- RS485 networks are traditionally terminated at both ends with 120Ω terminators. This is not required if the cable length is short and you are using the Victron supplied RS485 to USB lengths, but may be required if the cable length is modified.
- For detailed wiring/installation notes and specifications refer to the [Victron RS485 to USB interface cable 'Datasheet'](#).

### 2.2.2. Zigbee connection to a GX device

The ET112 can also be wirelessly connected to a GX device via our [Zigbee to USB converter & Zigbee to RS485](#).

The Zigbee to USB converter is connected to the GX device and the Zigbee to RS485 converter is connected to the ET112.

#### Step 1.

Connect the Zigbee to USB converter to the GX device using the supplied USB cable. A few seconds after connecting, the active LED should be on and the TX/RX LED should be blinking (the converter takes its power from the GX device, so the GX device needs to be switched on as well).

#### Step 2.

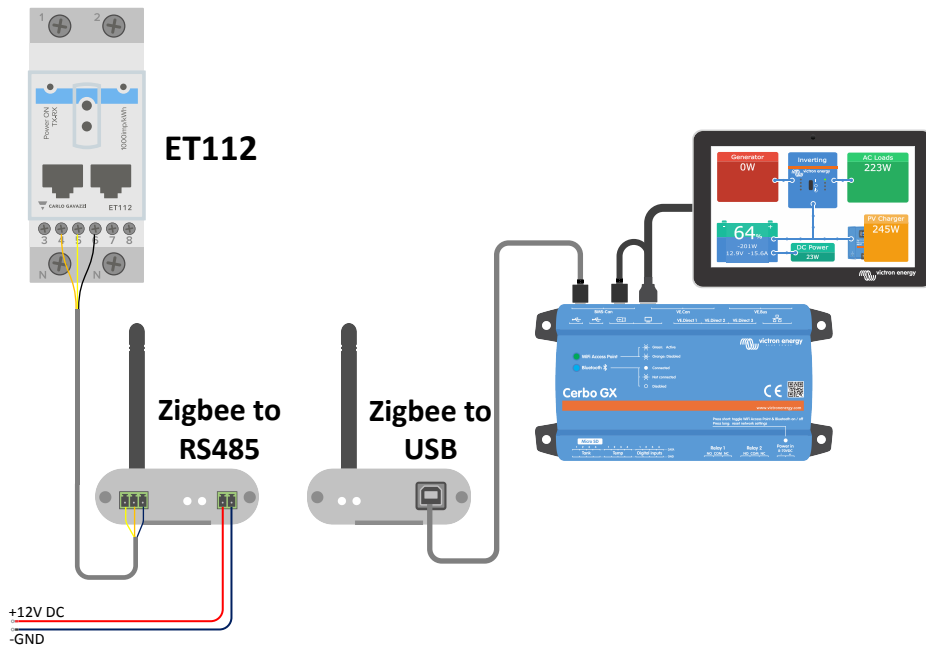
Connect the Zigbee to RS485 converter to the ET112 energy meter according to the table below:

| Zigbee to RS485 | ET112 terminal number | Color  |
|-----------------|-----------------------|--------|
| GND             | 6                     | Black  |
| A               | 4                     | Orange |
| B               | 5                     | Yellow |

In case you have several Zigbee devices installed, make sure only one Zigbee device is powered up right now: the Zigbee to USB converter connected to the GX device. Power down all others. If you don't do this, the Zigbee to RS485 converter may be connected permanently to another Zigbee device.

#### Step 3.

Connect the 12V DC power supply to the Zigbee to RS485 converter. When the power is switched on, check the LEDs again.



Energy Meter wireless Zigbee connection to a Cerbo GX

**Note on old and new Zigbee converters**

Please note that there is a new Zigbee converter available now, that is **not** backwards compatible with the old converters. See table below for old versus new part numbers. If you have a non compatible set, please ask your supplier for a correct version.

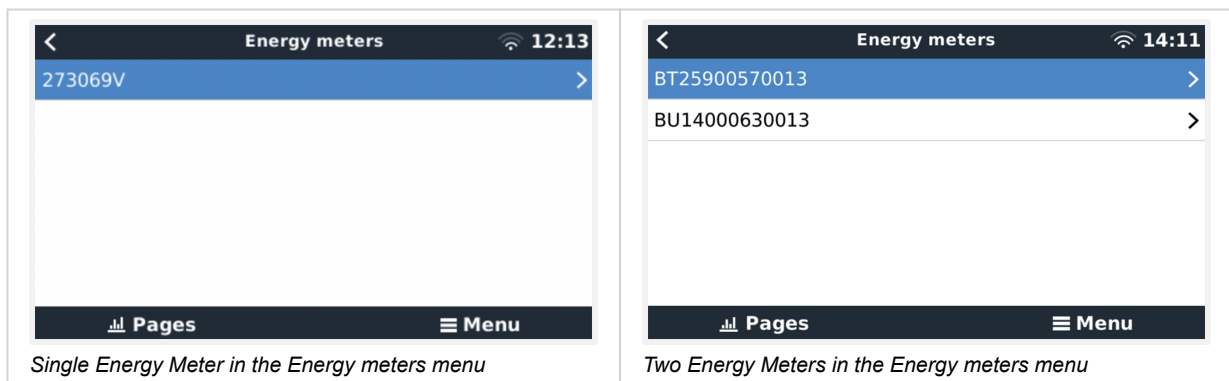
| old/new | Victron part number | Zigbee to RS485 converter part number |
|---------|---------------------|---------------------------------------|
| old     | ASS300400100        | DRF2619C                              |
| old     | ASS300400100        | DRF2618A                              |
| new     | ASS300420100        | DRF2659C                              |
| new     | ASS300420200        | DRF2658C                              |

**Note on GX firmware versions**

For the new type Zigbee converters, Venus OS v2.54 is the minimum required software version.

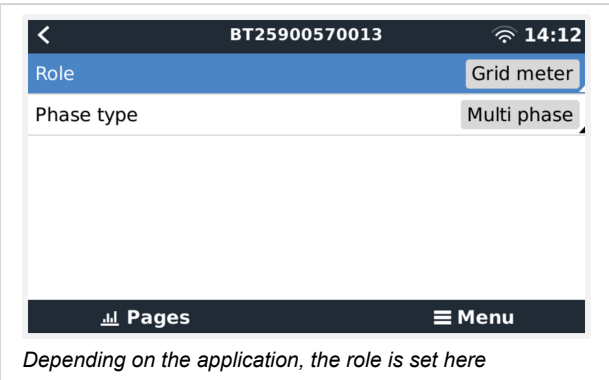
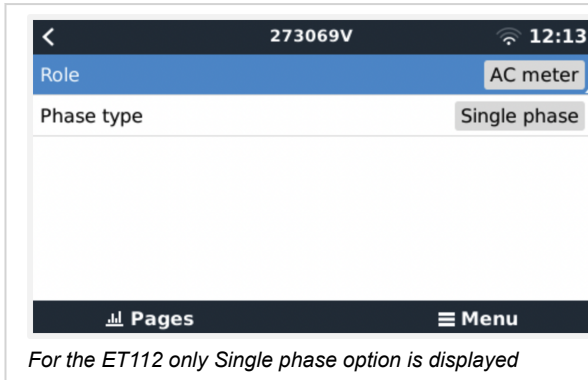
**2.3. GX device configuration**

After proper connection and powering up, the meter(s) will be visible on the GX device in the Settings → Energy meters menu:

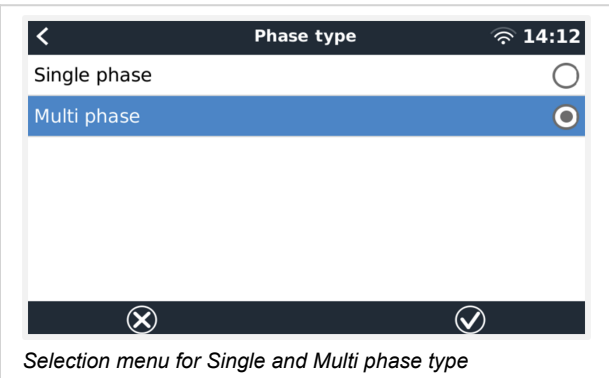
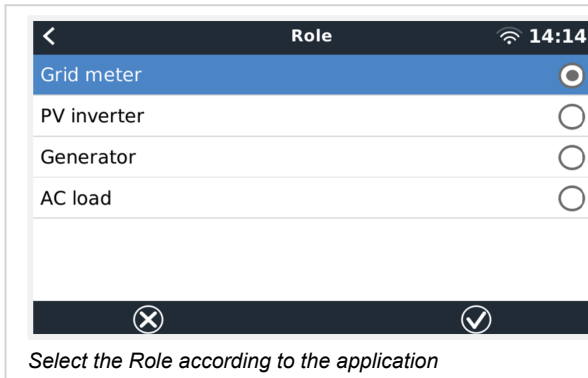


After selecting an Energy Meter, you have to set the Role and Phase type. Press the space bar or right click to get to the Phase type and Role menu:

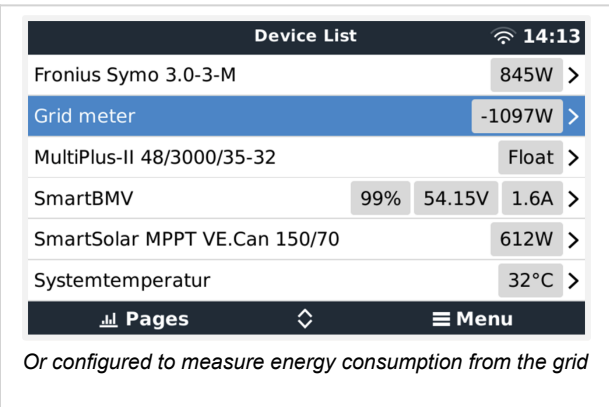
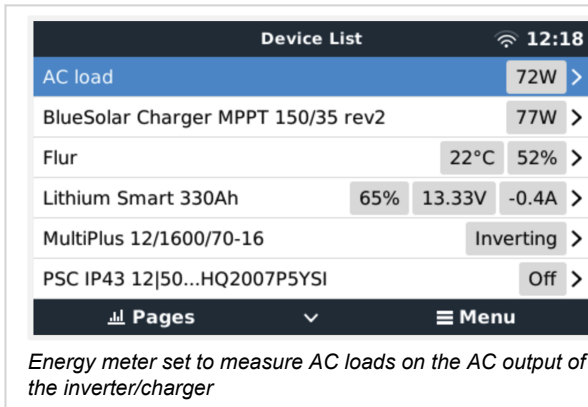




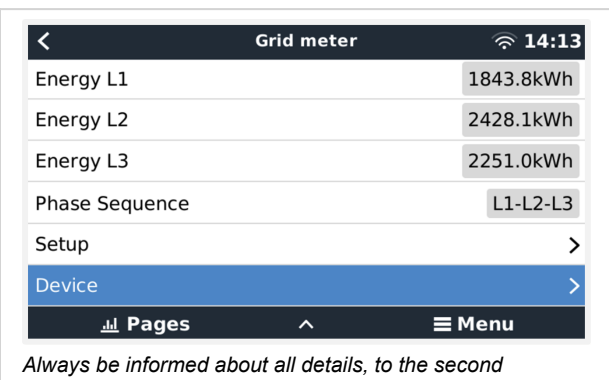
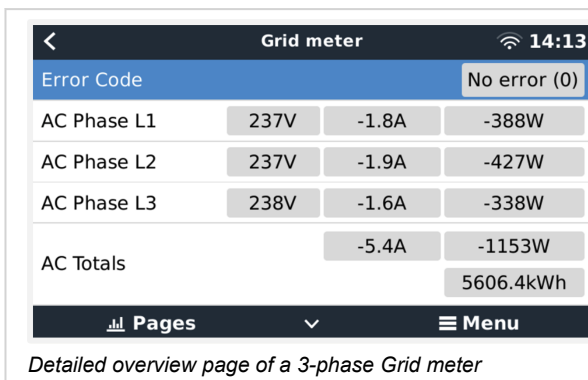
Select either Role or Phase type and press the space bar to make changes:

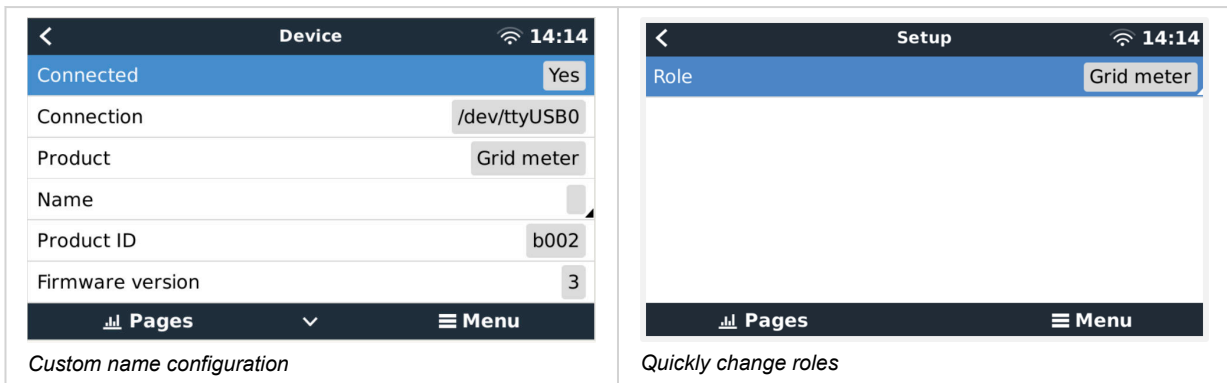


After all settings have been made, the Energy Meter now appears with the relevant data in the device list of the GX device:



Right-click or press the spacebar to get to the Energy Meter overview with all relevant data on energy consumption and its generation in all phases. At the bottom of the menu, the role of the Energy Meter can be set via the Setup menu. The data used for communication can be read out via the Device menu. You can also set up a custom name for the Energy Meter there:





## 2.4. Multiple Energy Meters in one system

To connect multiple Energy Meters, wire each meter to a separate RS485 to USB interface, which are then each plugged into a separate USB socket on the GX device.

Connecting multiple meters to the same RS485 to USB interface cable is not possible.

Please note that you can connect the ET112 in parallel, but need to change the modbus address to another number using the UCS Desktop configuration software from the supplier, which is free to download from the [Carlo Gavazzi Web site](#).

## 3. Information on multiple Zigbee pairs

### 3.1. Multiple Zigbee pairs

Running multiple Zigbee pairs is rather unusual and not recommended due to its complexity in configuration via the Chinese language configuration software. However, for those who still want to try, we show a possible solution.

The following is only valid for the new Zigbee converters with part number DRF2658 and DRF2659. For older units there is no software support anymore.

To run multiple pairs, the PAN-Id needs to be different, otherwise they interfere with one another. Basic information about where to obtain the software and how to reconfigure this:

1. Go to <http://www.dtkcn.com/>
2. Use the translation feature of your browser if you don't read Chinese, then download the "DTK wireless module configuration software".
3. The installation is in Chinese, but can be installed by clicking the equivalent "Next" button repeatedly. The software itself has an English translation.
4. You need to wire an RS485 to USB interface to the RS485 Zigbee module if you need to reconfigure it. The alternative is to reconfigure the USB unit (the coordinator) BEFORE you turn on the RS485 side (the router). The router will always join the coordinator and get its initial settings at startup.
5. Each pair must have a different PAN-Id.



It is unusual to have multiple Zigbee links. Using an Energy meter via Ethernet (possibly with a Wi-Fi link) is the more reliable option in any case.

## 4. FAQ

### Q1: Can I combine three ET112s for a 3-phase system?

No. Use a real 3-phase meter.

### Q2: Can I use other meters, for example from other brands?

No.

### Q3: I already have a Fronius SmartGrid meter, can I use that?

No.

### Q4: What are the differences between the various 3-phase meters?

- EM24 - REL200100000 - Carlo Gavazzi EM24DINAV93XISX
- ET112 - REL300100000 - Carlo Gavazzi ET112-DIN.AV01.X.S1.X
- ET340 - REL300300000 - Carlo Gavazzi ET340-DIN.AV23.X.S1.X

Differences:

- The ET meters don't have a front selector that the installer needs to put in a different setting than it comes out of the box: easier, less mistakes to be made.
- The ET meters have no display. The only thing they have is an LED, which blinks in case of active communication.
- The new meters have two RJ45 sockets for the Modbus RS485 connection. But they are not used. Note the possible confusion because of yet another RJ45 socket in the Victron world though. Don't mix that with VE.Bus, VE.Can or VE.net. Besides the RJ45 sockets, the meters still also have screw terminals access below the sockets for the RS485 wiring, which is how we advise to connect a meter to the [RS485 to USB interface](#) and then a GX device.
- Since there is no display, the modbus address can no longer be changed on the meter. Combining multiple of those meters on one RS485 network is therefore not supported by Victron. You are advised to use multiple RS485 to USB interfaces.

3-phase new meter only (ET340):

- Measuring energy from single-phase PV Inverter on the second phase of the new meter, ET340, actually works. Whereas with the old meter, the EM24, only the Power Metering (Watts) works. The Energy Metering (kWh) for a single phase PV Inverter on the second phase of the EM24 does not work. See Q9 for the details.

### Q5: Will you keep shipping both 3-phase meters? (ET340 & EM24)

Yes. There are still situations suitable for each. See Q8.

### Q6: Can I buy those meters directly from Carlo Gavazzi instead of from you?

Yes. That is also why we make no secret of the CG part numbers.

### Q7: I want to use Current Transformers (CTs), is that possible?

Yes. You can buy the CG EM24DINAV53DISX directly from Carlo Gavazzi or one of their distributors. Even though Victron does not stock that type of meter, we do support it in our software.

### Q8: What's the difference between ET340 and EM24 in 3-phase systems?

These meters have a different way of calculating the total of energy imported and exported.

In the ET340, the energy imported and exported is counted at each individual phase and then the Total is provided from the sum of those values.

In the EM24, the energy imported and exported is counted as a total power, with net differential readings from each phase cancelling each other out.

Which Energy Meter is most suitable depends on the measuring configuration in your country. It is most common in Austria and Germany for example to only be billed for the total in a 3-phase system. So it is more accurate to use an EM24 to match the billing.

So if you are exporting from one phase and importing from another phase after the energy meter, but before the billing meter, then you will not be charged for this, and the meter should not count it as an import and an export.

This is also how Victron's phase compensation feature works, to make the most of the cost savings for an ESS system when there is a differential in generation and load across different phases.

**Q9: Can I use an isolated USB-RS485 interface?**

Yes. The interfaces we sell are non isolated; suitable for most use cases.

In case an isolated one is needed; purchase it directly from [Hjelmslund Electronics](#).

- USB485-STIXL : Isolated USB to RS485 converter

**Q10: Can I use Victron Energy Meters instead of a Victron Inverter/Charger to make use of a GX device (e.g. Cerbo GX), VRM and other features?**

Energy Meters are intended to supplement a Victron Inverter/Charger in the system. Energy Meters are currently limited in their potential applications. Each Energy Meter is only intended to provide a specific piece of additional information - total loads on AC input and grid import/export, or AC PV inverter and AC generator production without network communications.

However, it is perfectly possible to initially use just a GX device together with an Energy Meter to determine and record the consumption, for example of houses/buildings, heating systems with heat pumps, ventilating and air conditioning or production facilities. Afterwards, the collected data can be evaluated and a decision can be made about the dimensioning of the required Victron inverter/charger(s), the solar system and the type, size and number of batteries.

With GX device firmware version 2.80 and later, they can also be used for other purposes e.g. to measure specific, arbitrary AC loads or circuits for example. But this should not be considered a replacement to having a Victron Inverter/Charger. Attempting to use other brand battery inverters and trying to substitute their lack of data connectivity to the GX device by using Energy Meters will not work as expected.